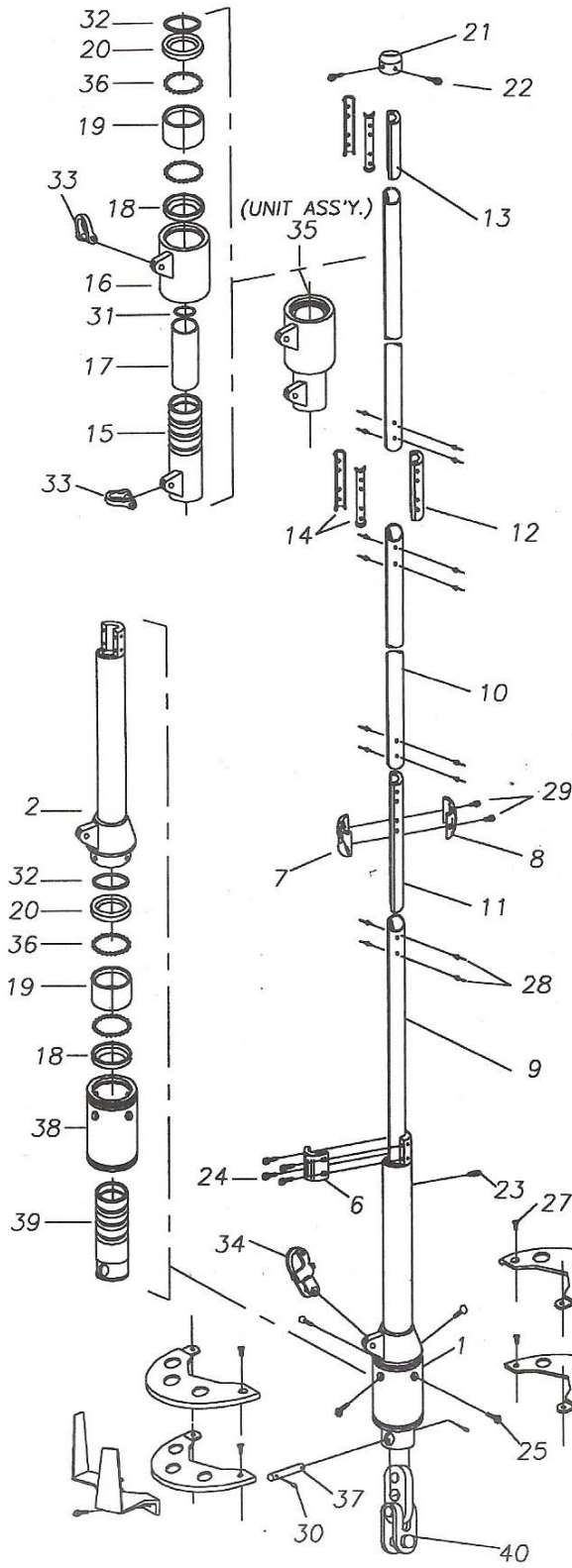


System 1100 Parts List



1100 PARTS LIST			
ITEM	DESCRIPTION	PART #	QTY.
1	DRUM BEARING HOUSING	33-028-A	1
2	TORQUE TUBE	33-030-A2	1
3	COLLAR BRACKET PLATE	45-230-A	2
4	TOP PLATE	35-328	2
5	BOTTOM PLATE	35-327	2
6	TORQUE TUBE CLAMP	32-025-02	1
7	SAIL FEEDER FRONT HALF	45-223-01	1
8	SAIL FEEDER BACK HALF	45-223-02	1
9	BOTTOM FURL EXTRUSION	14-034-M01	1
10	STANDARD FURL EXTRUSION - 72" LG.	14-034-M02	6
11	LOWER JOINT	14-060-01	1
12	STANDARD JOINT	14-060-02	6
13	UPPER JOINT (NO RIVET HOLES)	14-060-03	1
14	JOINT LINER FOR 9/32" - (7MM) WIRE	25-288	14
15	UPPER SWIVEL INNER BEARING RACE	53-035-A	1
16	UPPER SWIVEL HOUSING	33-029	1
17	SWIVEL BEARING LINER	25-261	1
18	BOTTOM BEARING RACE	53-038	2
19	MIDDLE BEARING RACE	53-037	2
20	TOP BEARING RACE	53-036	2
21	TOP CAP	32-014	1
22	SET SCREW	22-060	2
23	STOP PIN SCREW	24-045	1
24	CAP SCREW 10-24 X 5/8" LG.	24-057	4
25	FLAT HD. SCREW 1/4-20 X 1/2" LG.	22-131	4
26	CAP SCREW 1/4-20	24-058	2
27	FLAT HD. SCREW 10-24 X 1/4" LG.	22-352	4
28	RIVET	30-067	70
29	CAP SCREW	24-055	2
30	COTTER PIN	51-012-16	2
31	RETAINER RING	51-231	1
32	RETAINER RING	51-226	1
33	SHACKLE	93-12	2
34	SNAP SHACKLE	45-21	1
35	UPPER SWIVEL UNIT ASS'Y.	33-029-A	1
36	BALL BEARINGS	25-253	-
37	CROSS PIN	51-233	1
38	DRUM HOUSING	33-028	1
39	DRUM INNER RACE	53-034	1
40	TOGGLE LINK W/ 3/8" DIA. PIN	46-030-01	1
-	OR TOGGLE LINK W/ 7/16" DIA. PIN	46-030-02	-
-	OR TOGGLE LINK W/ 1/2" DIA. PIN	46-030-03	-
-	OR TOGGLE LINK W/ 5/16" DIA. PIN	46-030-04	-
41	HALF LENGTH FURL EXTRUSION	14-034-M03	1



Note
System 1100 parts listing includes all new part numbers as of 5/97. Please contact Schaefer for furlers manufactured prior to this date.

