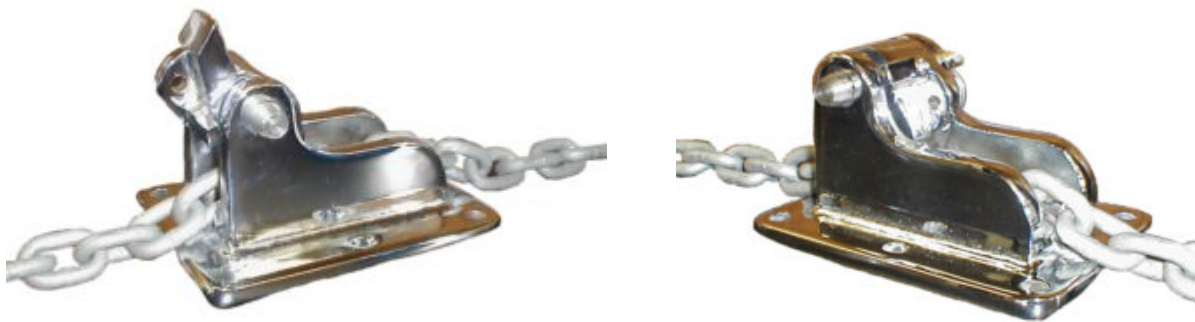


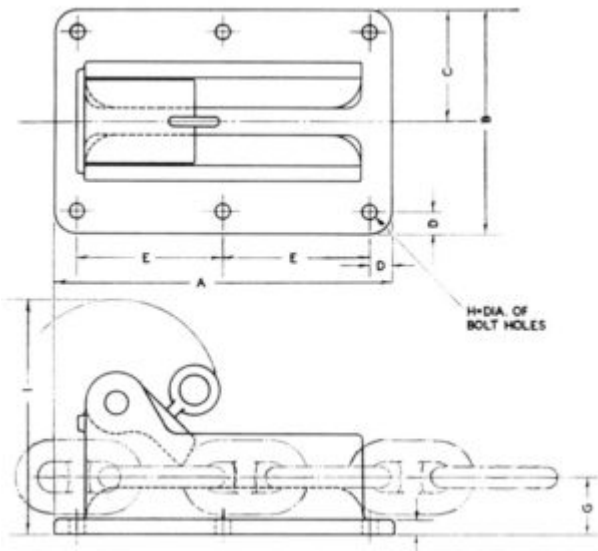
Ideal Windlass Accessories

Schaefer Marine offers several of the Ideal Windlass Accessories, please contact our office for more information or a quote. You can reach us at 508-995-9511 or by emailing Ideal@SchaeferMarine.com

PAWL TYPE CHAIN STOPPERS



Anchoring in rough water or riding at anchor for prolonged periods of time places a heavy load on the anchor windlass gear train and brake mechanism. This strain can be relieved by installing a chain stopper between the anchor windlass and the bow roller. These chain stoppers are available in sizes to handle chains from 1/4" to 5/8". They are made of chrome plated cast bronze.



Dimensions in inches and pounds.

MODEL	CHAIN SIZE	A	B	C	D	E	F	G	H	I	WT.
CS25	1/4	4	3 1/2	1 3/4	3/8		3/8	15/16	1/4	3 1/4	4
CS31	5/16	7	5	2 1/2	9/16	2 15/16	1/2	1 3/16	13/32	5	7
CS37	3/8	7	5	2 1/2	9/16	2 15/16	1/2	1 5/16	13/32	5	10
CS50	1/2	10	7	3 1/2	3/4	4 1/4	1/2	1 1/2	9/16	6 1/4	26
CS62	5/8	11	6 1/4	3 1/8	5/8	4 1/2	1/2	1 3/4	9/16	7 1/2	31

Dimensions in millimeters and kilos.

MODEL	CHAIN SIZE	A	B	G	H	I	WT.
CS25	7mm	102	89	24	6	83	1.8
CS31	8mm	127	102	27	9	102	3
CS37	10mm	178	127	33	10	127	4.5
CS50	13mm	254	178	38	14	159	12
CS62	16mm	279	165	44	14	191	14

CHAIN LOCKER PIPES AND COVERS



These chain locker pipes are for use with the vertical anchor windlasses with wildcats for chain. On these vertical units the chain comes aboard through the bow roller or chock, heads aft and around the chain wildcat and then forward for a short distance. At this point the chain locker pipe and cover provides a convenient means of passing the chain below into the chain locker. The units are made of chrome plated bronze castings and the removable cover has a slot in it to fit over one of the vertical chain links.

Dimensions in inches and pounds.

MODEL	CHAIN SIZE	A	B	C	D	E	F	WT.
CLP-37	Up to 3/8	2 1/4	1 5/8	2	4 1/2	4 1/4	3 3/8	3 1/2
CLP-50	Up to 1/2	2 3/4	2 1/8	2 5/8	5	5 1/8	4 1/4	7
CLP62	Up to 5/8	3 3/4	3 1/8	3 7/8	6 3/4	7 1/4	6	17

Dimensions in millimeters and kilos.

MODEL	CHAIN SIZE	A	B	C	D	E	F	WT.
CLP-37	Up to 10mm	57	41	51	114	108	86	1.6
CLP-50	Up to 13mm	70	54	67	127	130	108	3
CLP62	Up to 16mm	95	79	98	171	184	152	7